

New Jersey Semi-Conductor Products, Inc.

20 STERN AVE.
 SPRINGFIELD, NEW JERSEY 07081
 U.S.A.

TELEPHONE: (973) 376-2922
 (212) 227-6005
 FAX: (973) 376-8960

150KS(R)20

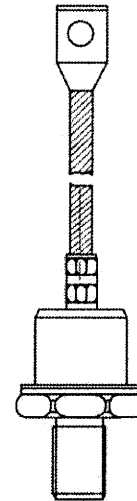
Standard Recovery Diodes

FEATURES

- High surge current capability
- Stud cathode and stud anode version
- Designed and qualified for industrial and consumer level
- Minimum Lot-to-Lot variations for robust device performance and reliable operation

APPLICATIONS

- Battery charges
- Converters
- Power supplies
- Machine tool controls



Case Style DO-8

ABSOLUTE MAXIMUM RATINGS

SYMBOL	PARAMETER	CONDITIONS		VALUE	UNIT
V_{RRM}	Repetitive Peak Reverse Voltage			200	V
$I_{F(AV)}$	Average Forward Current	$T_c=125^\circ\text{C}$, 180° conduction, half sine wave		150	A
$I_{F(RMS)}$	RMS forward current	$T_c=110^\circ\text{C}$		235	A
I_{FSM}	Surge Forward Current	$t=10\text{ms}$	No voltage reapplied	3000	A
		$t=8.3\text{ms}$		3140	
I^2t	I^2t for fusing	$t=10\text{ms}$	No voltage reapplied	45	KA ₂ S
		$t=8.3\text{ms}$		41	
T_J	Junction Temperature			-40~180	°C
T_{slg}	Storage Temperature			-40~180	°C

THERMAL CHARACTERISTICS

SYMBOL	PARAMETER	MAX	UNIT
R_{thj-c}	Thermal Resistance, Junction to Case	0.30	°C/W

150KS(R)20

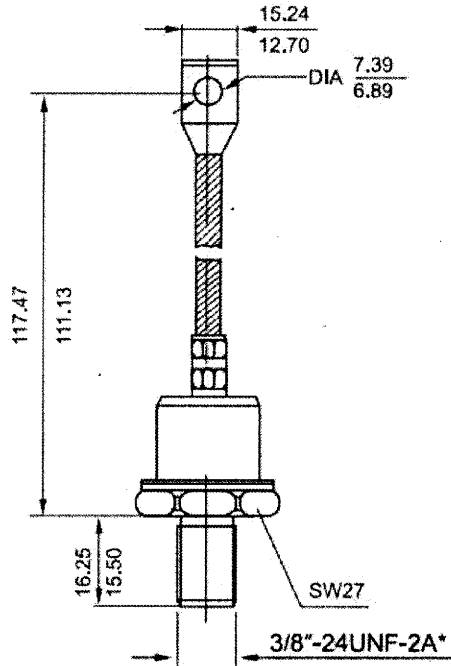
Standard Recovery Diodes

ELECTRICAL CHARACTERISTICS

SYMBOL	PARAMETER	CONDITIONS	MAX	UNIT
V_{FM}	Forward Voltage drop	$I_F = 600A, T_J = 25^\circ C, t_p = 10ms$	1.47	V
I_{RRM}	Maximum Instantaneous Reverse Current	$V_R = V_{RWM} T_c = 175^\circ C$	35	mA

PACKAGE OUTLINE

Dimensions in mm (1mm = 0.0394")



Polarity

