

# New Jersey Semi-Conductor Products, Inc.

20 STERN AVE.  
SPRINGFIELD, NEW JERSEY 07081  
U.S.A.

TELEPHONE: (973) 376-2922  
(212) 227-8005  
FAX: (973) 376-8960

## Rectifiers



### ELECTRICAL CHARACTERISTICS:

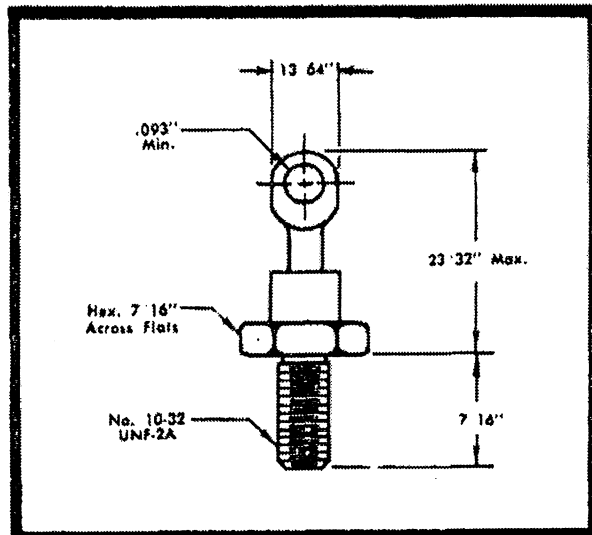
Maximum Average Forward Current, Single Phase Half  
Wave DC Rating at 125° C. Case Temperature ..... 16 amperes  
Maximum Surge Current  
(one cycle of 60 CPS sine wave) ..... 200 amperes  
Peak Forward Voltage  
at 30 Amps (25° C. Case Temp.) ..... 1.3 Volts Maximum  
Rated Peak Reverse Voltage Range ..... 50 to 1600 Volts  
Maximum \*FCA Reverse Current  
at 150° C. Case Temperature ..... 1.0 Milliamps  
Maximum Operating Frequency ..... 100,000 CPS  
Maximum I<sup>2</sup>t (less than 8 ms) ..... 165 Amps<sup>2</sup> - Second  
Reverse Power Rating ..... 0.16 Joules  
\*FCA = Full Cycle Average (measured with a DC meter)

### MECHANICAL CHARACTERISTICS:

Base ..... Steel stud and base with a #10-32 UNF-2A  
thread for through mounting on a heat sink.  
Nickel plating produces low contact resis-  
tance and prevents corrosion.  
Header ..... Glass to metal construction. Hermetically sealed to base.  
Weight ..... Approximately 0.16 ounces  
Mounting Position ..... May be mounted in any position  
Mounting Torque ..... 30 inch pounds maximum  
Dimensions ..... In accordance with JEDEC 00-4 Outline

### Ratings

JEDEC Numbers	Catalog Number Polarity		Peak Reverse Voltage
	Standard	Reverse	
1N1341, 1N1341A, 1N1341B, 1N1581, 1N1612, 1N2228, 1N2491	ALL	ALL	50
1N1342, 1N1342A, 1N1342B, 1N1582, 1N1613, 1N2492			100
1N1343, 1N1343A, 1N1343B			150
1N1124, 1N1344, 1N1344A, 1N1344B, 1N1583, 1N1614, 1N2230, 1N2493			200 250
1N1125, 1N1345, 1N1345A, 1N1345B, 1N1584, 1N2232, 1N2494			300 350
1N1126, 1N1346, 1N1346A, 1N1346B, 1N1585, 1N1615, 1N2234, 1N2495			400 450
1N1127, 1N1347, 1N1347A, 1N1347B, 1N1586, 1N2236, 1N2496			500
1N1128, 1N1348, 1N1348A, 1N1348B, 1N1587, 1N1616, 1N2238, 1N2497			600 700
1N2240			800 900 1000



Quality Semi-Conductors