

New Jersey Semi-Conductor Products, Inc.

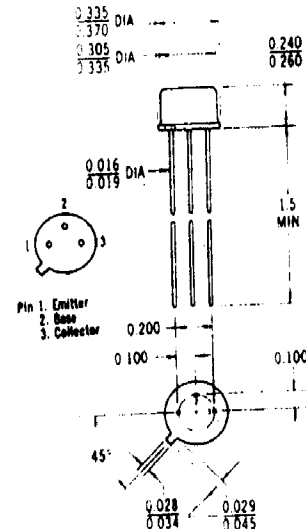
20 STERN AVE.
 SPRINGFIELD, NEW JERSEY 07081
 U.S.A.

TELEPHONE: (201) 376-2922
 (212) 227-6005
 FAX: (201) 376-8960

**NPN SWITCHING
 TRANSISTORS**

Ic = 1.0 AMPS

DEVICE TYPE	PACKAGE	V _{CE0} VOLTS	V _{CE0} VOLTS	V _{CEO} VOLTS	P _D @ 100°C WATTS	h _{FE} @ Min.	I _C Max. AMPS	V _{CE} VOLTS	V _{CE(sat)} @ I _C VOLTS	I _B AMPS	I _B AMPS	f _T MHz	I _{CEO} @ V _{CE} μAMP	V _{CE} VOLTS
2N545	TO-5	50	60	6.0	5.0	15 - 80	0.5	6.0	1.0	0.5	0.05		15	60
2N546	TO-5	30	30	6.0	5.0	15 - 80	0.5	6.0	1.0	0.5	0.05		15	30
2N547	TO-5	60	60	6.0	5.0	20 - 80	0.5	6.0	1.0	0.5	0.05	4.0	15	60
2N548	TO-5	30	30	6.0	5.0	20 - 80	0.5	6.0	1.0	0.5	0.05	4.0	15	30
2N549	TO-5	60	60	6.0	5.0	20 - 80	0.2	6.0	0.6	0.2	0.02	4.0	15	60
2N550	TO-5	30	30	6.0	5.0	20 - 80	0.2	6.0	0.6	0.2	0.02	4.0	15	30
2N1052	TO-5	155	200	6.0	5.0	20 - 80	0.2	6.0	0.6	0.2	0.02		10	200
2N1054	TO-5	115	125	6.0	5.0	20	0.2	6.0	0.6	0.2	0.02	8.0	5	125
2N1055	TO-5	100	100	6.0	3.0	20 - 80	0.05	6.0	0.6	50mA	5mA	3.0	15	100
2N1116	TO-5	60	60	6.0	5.0	40 - 150	0.5	6.0	1.0	0.5	0.05	6.0	15	60
2N1117	TO-5	60	60	6.0	5.0	40 - 150	0.2	6.0	0.6	0.2	0.02	4.0	15	60
2N1252	TO-5	20	30	5.0	4.0	35	0.15	10.0	0.5	0.15	0.015	80.0	10	20
2N1253	TO-5	20	30	5.0	4.0	45	0.15	10.0	0.5	0.15	0.015	110.0	10	20
2N1445	TO-5	120	120	8.0	4.0	20 - 80	0.2	10.0	0.6	0.2	0.04	0.075	10	120
2N1700	TO-5	40	60	6.0	5.0	20	0.1	4.0	1.0	0.1	0.01	0.4	75	60
2N1714	TO-5	60	90	6.0	6.0	20 - 60	0.2	5.0	2.0	0.2	0.02	16.0	1.0	30
2N1715	TO-5	100	150	6.0	6.0	20 - 60	0.2	5.0	2.0	0.2	0.02	16.0	1.0	30
2N1716	TO-5	60	90	6.0	6.0	40 - 120	0.2	5.0	2.0	0.2	0.02	16.0	1.0	30
2N1717	TO-5	100	150	6.0	6.0	40 - 120	0.2	5.0	2.0	0.2	0.02	16.0	1.0	30
2N1983	TO-5	25	30	5.0	1.0	80 - 240	5mA	5.0	0.25	5mA	0.5mA	40.0	5.0	30
2N1984	TO-5	25	30	5.0	1.0	40 - 120	5mA	5.0	0.25	5mA	0.5mA	40.0	5.0	30
2N1985	TO-5	25	30	5.0	1.0	20 - 80	5mA	5.0	0.25	5mA	0.5mA	40.0	0.025	30
2N2018	TO-111	125	150	6.0	20.0	20 - 60	0.5	10.0	6.0	1.0	0.1	2.0	100	100
2N2019	TO-111	140	200	6.0	20.0	20 - 60	0.5	10.0	6.0	1.0	0.1	2.0	100	100
2N2150	TO-111	80	125	8.0	30.0	20 - 60	1.0	5.0	5.0	1.0	1.0	0.1	15	15
2N2151	TO-111	80	125	8.0	30.0	40 - 120	1.0	5.0	5.0	1.0	1.0	0.1	15	15
2N2987	TO-5	80	95	7.0	15.0	25 - 75	0.2	5.0	3.0	0.5	0.05	30.0	0.025	90
2N2988	TO-5	100	155	7.0	15.0	25 - 75	0.2	5.0	3.0	0.5	0.05	30.0	0.025	150
2N2989	TO-5	80	95	7.0	15.0	60 - 120	0.2	5.0	3.0	0.5	0.05	30.0	0.025	90
2N2990	TO-5	100	155	7.0	15.0	60 - 120	0.2	5.0	3.0	0.5	0.05	30.0	0.025	150
2N3262	TO-39	80	100	4.0	5.0	40	0.5	4.0	0.6	1.0	0.1	100.0	0.1	30
2N4000	TO-5	80	100	8.0	15.0	30 - 120	0.5	2.0	0.5	1.0	0.1	40.0	2.0	90
2N4001	TO-5	100	120	8.0	15.0	40 - 120	0.5	2.0	0.5	1.0	0.1	40.0	2.0	110
2N4237	TO-5	40	50	6.0	5.0	30 - 150	0.2	5.0	0.6	0.2	0.02	1.0	100	10
2N4238	TO-5	60	80	6.0	5.0	30 - 150	0.2	5.0	0.6	0.2	0.02	1.0	100	10
2N4239	TO-5	80	100	6.0	5.0	30 - 150	0.2	5.0	0.6	0.2	0.02	1.0	100	10
2N4305	TO-5	80	120	6.0	6.6	50 - 150	1.0	2.0	1.0	5.0	0.5	80.0	.150	80
2N4307	TO-5	60	100	6.0	6.6	50 - 150	1.0	2.0	1.0	5.0	0.5	80.0	.500	80
2N4309	TO-5	80	120	6.0	6.6	4 - 120	1.0	2.0	1.0	3.0	0.3	80.0	.150	80
2N4311	TO-5	60	100	6.0	6.6	40 - 120	1.0	2.0	1.0	3.0	0.3	80.0	.500	80
2N5668	TO-66	200	250	6.0	20.0	40 - 120	0.5	5.0	0.4	1.0	0.1	20.0	1.0	250
2N5661	TO-66	300	400	6.0	20.0	25 - 75	0.5	5.0	0.4	1.0	0.1	20.0	1.0	400
2N5662	TO-5	200	250	6.0	20.0	40 - 120	0.5	5.0	0.4	1.0	0.1	20.0	1.0	250
2N5663	TO-5	300	400	6.0	20.0	25 - 75	0.5	5.0	0.4	1.0	0.1	20.0	1.0	400



Quality Semi-Conductors