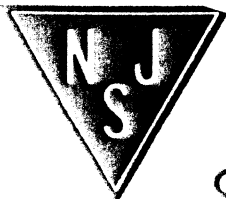
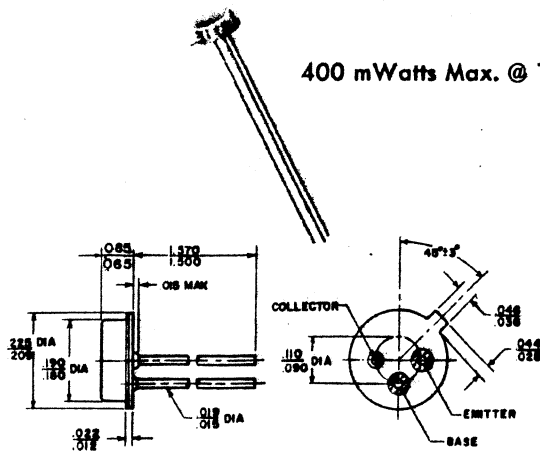


# SILICON PNP PLANAR

TYPE NUMBERS	RATED BREAKDOWN VOLTAGES			$h_{fe}$				$V_{CE(sat)}$			$I_{CBO}$	$f_t$
	$V_{CB}$	$V_{CE}$	$V_{EB}$	Min.	Max.	$I_C$ (mA)	$V_{CE}$ (Volts)	Max. (Volts)	$I_C$ (mA)	$I_B$ (mA)	Max. (nA)	Typ. (MHz)
2N 3341	-30	-20	-5	40†	—	-0.01	-5	—	—	—	-10	50
2N 3581	-50	-40	-6	50	200	-0.1	-5	-0.5	-10	-2.0	-20	100
2N 3582	-50	-40	-6	100	400	-0.1	-5	-0.5	-10	-2.0	-20	100
2N 2604	-60	-45	-6	40†	120†	-0.01	-5	-0.5	-10	-0.05	-10	50
2N 2605	-60	-45	-6	100†	300†	-0.01	-5	-0.5	-10	-0.5	-10	65
2N 2605A	-60	-45	-6	150†	300†	-0.01	-5	-0.25	-10	-0.5	-2	70
2N 2601	-60	-60	-6	18	90	-1.0	-5	-0.5	-10	-1.0	-25	60
2N 2602	-60	-60	-6	36	90	-1.0	-5	-0.5	-10	-1.0	-25	90
2N 2603	-60	-60	-6	76	333	-1.0	-5	-0.5	-10	-1.0	-25	120
2N 2595	-80	-60	-6	20	50	-5.0	-5	-0.5	-10	-2.0	-25	30
2N 3579	-80	-60	-6	30	150	-1.0	-5	-0.5	-5	-2.0	-50	90
2N 2596	-80	-60	-6	40	100	-5.0	-5	-0.5	-10	-2.0	-25	90
2N 3580	-80	-60	-6	60	300	-1.0	-5	-0.5	-5	-2.0	-50	90
2N 2597	-80	-60	-6	80	200	-5.0	-5	-0.5	-10	-2.0	-25	90
2N 2590	-100	-60	-7	40	80	-5.0	-5	-0.4	-10	-1.0	-25	90
2N 2591	-100	-60	-7	70	135	-5.0	-5	-0.4	-10	-1.0	-25	100
2N 2592	-100	-60	-7	115	200	-5.0	-5	-0.4	-10	-1.0	-25	100
2N 2593	-100	-60	-7	160	275	-5.0	-5	-0.4	-10	-1.0	-25	125
2N 2598	-125	-80	-7	20	65	-5.0	-5	-0.5	-10	-2.0	-25	30
2N 2599	-125	-80	-7	40	100	-5.0	-5	-0.5	-10	-2.0	-25	90
2N 2600	-125	-80	-7	80	200	-5.0	-5	-0.5	-10	-2.0	-25	120
2N 2599A	-125	-100	-7	40	100	-5.0	-5	-0.5	-10	-2.0	-25	90
2N 2600A	-125	-100	-7	80	200	-5.0	-5	-0.5	-10	-2.0	-25	120

†  $h_{FE}$

400 mWatts Max. @  $T_A = 25^\circ C$



TO-48

Quality Semi-Conductors