

BUX98 – BUX98A

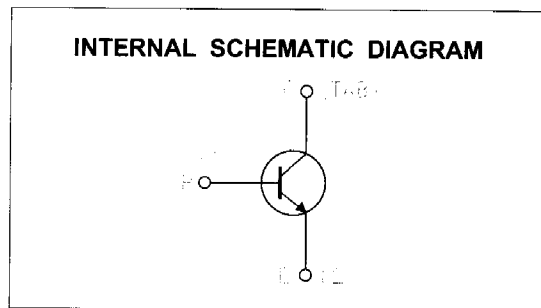
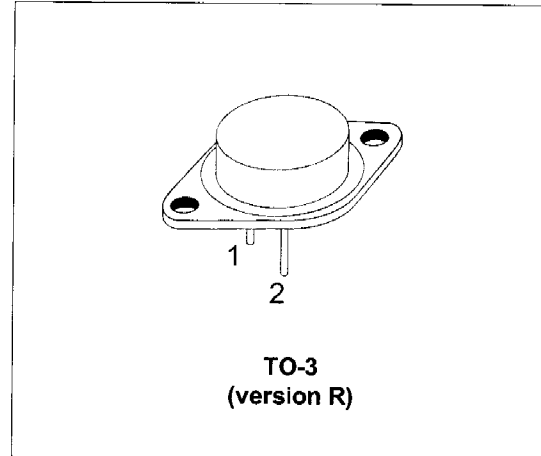
HIGH POWER NPN SILICON TRANSISTORS

APPLICATIONS

- HIGH FREQUENCY AND EFFICIENCY CONVERTERS
- LINEAR AND SWITCHING INDUSTRIAL EQUIPMENT

DESCRIPTION

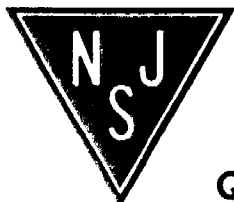
The BUX98 and BUX98A are silicon multiepitaxial mesa NPN transistor in jedec TO-3 metal case, intended and industrial applications from single and three-phase mains operation.



ABSOLUTE MAXIMUM RATINGS

Symbol	Parameter	Value		Unit
		BUX98	BUX98A	
V _{CER}	Collector-Emitter Voltage (R _{BE} = ≤ 10 Ω)	850	1000	V
V _{CES}	Collector-Base Voltage (V _{BE} = 0)	850	1000	V
V _{CEO}	Collector-Emitter Voltage (I _B = 0)	400	450	V
V _{EBO}	Emitter-Base Voltage (I _C = 0)	7		V
I _C	Collector Current	30		A
I _{CM}	Collector Peak Current (t _p < 5 ms)	60		A
I _{CP}	Collector Peak Current non Rep. (t _p < 20 μs)	80		A
I _B	Base Current	8		A
I _{BM}	Base Peak Current (t _p < 5 ms)	30		A
P _{tot}	Total Power Dissipation at T _{case} < 25 °C	250		W
T _{stg}	Storage Temperature	-65 to 200		°C
T _J	Max Operating Junction Temperature	200		°C

NJ Semi-Conductors reserves the right to change test conditions, parameter limits and package dimensions without notice. Information furnished by NJ Semi-Conductors is believed to be both accurate and reliable at the time of going to press. However, NJ Semi-Conductors assumes no responsibility for any errors or omissions discovered in its use. NJ Semi-Conductors encourages customers to verify that datasheets are current before placing orders.



BUX98 / BUX98A

THERMAL DATA

$R_{thj-case}$	Thermal Resistance Junction-case	Max	0.7	$^{\circ}C/W$
----------------	----------------------------------	-----	-----	---------------

ELECTRICAL CHARACTERISTICS ($T_{case} = 25^{\circ}C$ unless otherwise specified)

Symbol	Parameter	Test Conditions	Min.	Typ.	Max.	Unit
I_{CER}	Collector Cut-off Current ($R_{BE} = 10 \Omega$)	$V_{CE} = V_{CES}$ $V_{CE} = V_{CES}$ $T_{CASE} = 125^{\circ}C$			1 8	μA mA
I_{CES}	Collector Cut-off Current ($V_{BE} = 0$)	$V_{CE} = V_{CES}$ $V_{CE} = V_{CES}$ $T_{CASE} = 125^{\circ}C$			400 4	μA mA
I_{CEO}	Collector Cut-off Current ($I_B = 0$)	$V_{CE} = V_{CEO}$			2	mA
I_{EBO}	Emitter Cut-off Current ($I_C = 0$)	$V_{EB} = 5 V$			2	mA
$V_{CE(sus)*}$	Collector-Emitter Sustaining Voltage	$I_C = 200 mA$ for BUX98 for BUX98A	400 450			V V
$V_{CER(sus)*}$	Collector-Emitter Sustaining Voltage	$L = 2mH$ for BUX98 for BUX98A $I_C = 1 A$	850 1000			V V
$V_{CE(sat)*}$	Collector-Emitter Saturation Voltage	for BUX98 $I_C = 20 A$ for BUX98A $I_C = 16 A$ $I_C = 24 A$ $I_B = 4 A$ $I_B = 3.2 A$ $I_B = 5 A$			1.5 1.5 5	V V V
$V_{BE(sat)*}$	Base-Emitter Saturation Voltage	for BUX98 $I_C = 20 A$ for BUX98A $I_C = 16 A$ $I_B = 4 A$ $I_B = 3.2 A$			1.6 1.6	V V
t_{on}	Turn-on Time	for BUX98			1	μs
t_s	Storage Time	$V_{CC} = 150 V$ $I_C = 20 A$			3	μs
t_f	Fall Time	$I_{B1} = - I_{B2} = 4 A$			0.8	μs
t_{on}	Turn-on Time	for BUX98A			1	μs
t_s	Storage Time	$V_{CC} = 150 V$ $I_C = 16 A$			3	μs
t_f	Fall Time	$I_{B1} = - I_{B2} = 3.2 A$			0.8	μs

* Pulsed: Pulse duration = 300 μs , duty cycle = 1.5 %

DIM.	mm			Inch		
	MIN.	TYP.	MAX.	MIN.	TYP.	MAX.
A		11.7			0.460	
B	0.96		1.10	0.037		0.043
C			1.70			0.066
D			8.7			0.342
E			20.0			0.787
G		10.9			0.429	
N		16.9			0.665	
P			26.2			1.031
R	3.88		4.09	0.152		0.161
U			39.50			1.555
V		30.10			1.185	

