

*New Jersey Semi-Conductor Products, Inc.*

20 STERN AVE.  
 SPRINGFIELD, NEW JERSEY 07081  
 U.S.A.

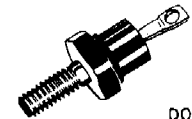
TELEPHONE: (973) 376-2922  
 (212) 227-6005  
 FAX: (973) 376-8960

**12 A\* / T<sub>case</sub> = 125°C T<sub>j</sub> = 150°C I<sup>2</sup>t = 280A<sup>2</sup>s**

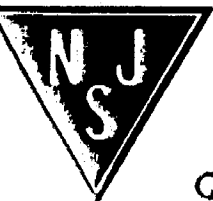
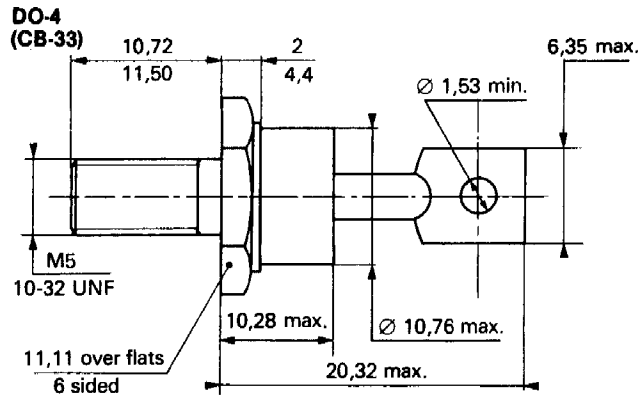
G 510, (R) G 1010, (R)/FR55A G 2010, (R)/FR56A G 3010, (R) G 4010, (R)/FR57A G 5010, (R) G 6010, (R)/FR58A G 8010, (R)/FR59 G 1110, (R)/FR61 G 1210, (R)	12	50 100 200 300 400 500 600 800 1000 1200	230	1,25	35	3	125
---	----	---	-----	------	----	---	-----

**12 A / T<sub>case</sub> = 125°C T<sub>j</sub> = 150°C I<sup>2</sup>t = 280A<sup>2</sup>s**

BYW 88- 50, (R) BYW 88- 100, (R) BYW 88- 200, (R) BYW 88- 300, (R) BYW 88- 400, (R) BYW 88- 500, (R) BYW 88- 600, (R) BYW 88- 800, (R) BYW 88-1000, (R) BYW 88-1200, (R)	12	50 100 200 300 400 500 600 800 1000 1200	230	1,25	35	3	125
---	----	---	-----	------	----	---	-----



DO 4 metal (CB - 33)  
 10-32 UNF\*\*\*



NJ Semi-Conductors reserves the right to change test conditions, parameter limits and package dimensions without notice. Information furnished by NJ Semi-Conductors is believed to be both accurate and reliable at the time of going to press. However, NJ Semi-Conductors assumes no responsibility for any errors or omissions discovered in its use. NJ Semi-Conductors encourages customers to verify that datasheets are current before placing orders.

**Quality Semi-Conductors**