

High Voltage Rectifiers

2,500 V – 10,000 V

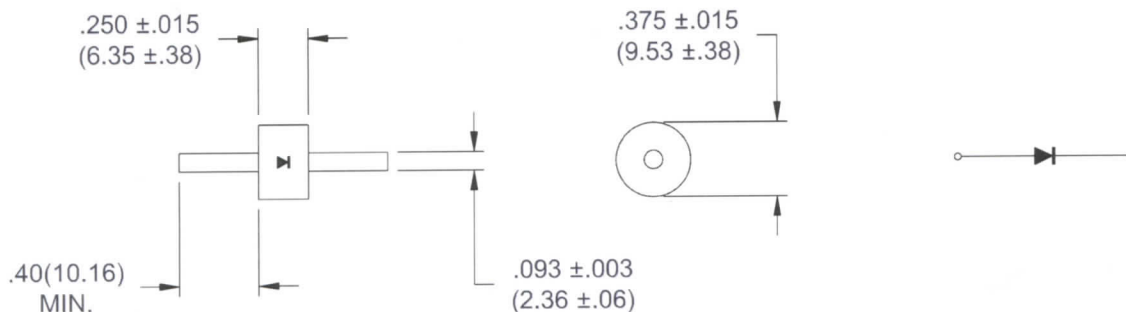
1.5A - 3.0A • 100ns – 300ns

K25, K50, K100 Series

Axial Leaded - Epoxy Molded

ELECTRICAL CHARACTERISTICS AND MAXIMUM RATINGS														
)Part Number	Working Reverse Voltage (V _{rw})	Average Rectified Current (I _o)		Reverse Current @ V _{rw} (I _r)		Foward Voltage (V _f)		1 Cycle Surge Current tp=8.3ms (I _{fsm})	Repetitive Surge Current (I _{frm})	Reverse Recovery Time (3) (T _{rr})	Thermal Impedance θ _{J-L}		Junction Cap. @50VDC @ 1kHz (C _j)	
		55°C(1)	100°C(2)	25°C	100°C	25°C		25°C	25°C	25°C	25°C	L=.000	L=.250	pF
		Volts	Amps	Amps	µA	µA	Volts	Amps	Amps	Amps	ns	°C/W	°C/W	
K25UF	2500	3.00	1.50	2.0	100	7.5	3.0	200	50	100	2	4.5	70	
K50UF	5000	2.20	1.10	2.0	100	10.5	2.2	150	35	100	2	4.5	50	
K100UF	10000	1.50	0.75	2.0	100	14.0	1.5	100	25	100	2	4.5	35	
K25F	2500	3.00	1.50	2.0	100	6.5	3.0	200	50	200	2	4.5	70	
K50F	5000	2.20	1.10	2.0	100	9.5	2.2	150	35	200	2	4.5	50	
K100F	10000	1.50	0.75	2.0	100	13.0	1.5	100	25	200	2	4.5	35	
K25S	2500	3.00	1.50	2.0	100	5.5	3.0	200	50	3000	2	4.5	70	
K50S	5000	2.20	1.10	2.0	100	8.5	2.2	150	35	3000	2	4.5	50	
K100S	10000	1.50	0.75	2.0	100	12.0	1.5	100	25	3000	2	4.5	35	

(1)TL=55°C L=0.375" (2)TL=100°C L=0.375" (3)I_f=0.5A, I_r=1.0A, I_{rr}=0.25A *Op. Temp.= -55°C to +150°C Stg. Temp.= -55°C to +175°C



Dimensions: In. (mm) • All temperatures are ambient unless otherwise noted. • Data subject to change without notice.



NJ Semi-Conductors reserves the right to change test conditions, parameter limits and package dimensions without notice. Information furnished by NJ Semi-Conductors is believed to be both accurate and reliable at the time of going to press. However, NJ Semi-Conductors assumes no responsibility for any errors or omissions discovered in its use. NJ Semi-Conductors encourages customers to verify that datasheets are current before placing orders.

Quality Semi-Conductors